

## Avide Halogen R50 28W E14 2000h

**Product code:** AHR50WW-28W  
**Brand link:** [avidelighting.com/qr/AHR50WW-28W](http://avidelighting.com/qr/AHR50WW-28W)  
**ID:** AB-190518  
**Company name:** Bramcke Hungary Kft.  
**Company address:** Kishatár utca 17., 4031 Debrecen



Date of issue: 2024-09-10

Page: 1/3

### SPECIFICATIONS

**EAN code:** 5999562280461  
**Socket:** E14  
**Working temperature:** -20 - +40 °C  
**Packaging:** 1/b 100/c 4800/p  
**Certifications:** CE

### TECHNICAL DETAILS

**Wattage:** 28W  
**Voltage:** 220-240V  
**Beam angle:** 30°  
**Dimmability:** Yes  
**Lumen output:** 370lm  
**Color temperature:** 3000K  
**Lifetime:** 2 000h  
**Energy class:** G  
**IP standard:** IP20

### BOX PICTURE



## Avide Halogen R50 28W E14 2000h

<b>Product code:</b>	AHR50WW-28W
<b>Brand link:</b>	<a href="https://avidelighting.com/qr/AHR50WW-28W">avidelighting.com/qr/AHR50WW-28W</a>
<b>ID:</b>	AB-190518
<b>Company name:</b>	Bramcke Hungary Kft.
<b>Company address:</b>	Kisatár utca 17., 4031 Debrecen

QR code:



Date of issue: 2024-09-10

Page: 2/3

### PRODUCT SIZE

Diameter:	50mm
Height:	84mm

### CARDBOARD BOX

EAN:	5999562280461
Packaging:	1/b 100/c 4800/p
Dimensions:	50mm x 47mm x 123mm
Net weight:	28g
Gross weight:	49g

### CARTON

EAN:	
Packaging:	1/b 100/c 4800/p
Dimensions:	530mm x 270mm x 190mm
Net weight:	2.8kg
Gross weight:	4.9kg

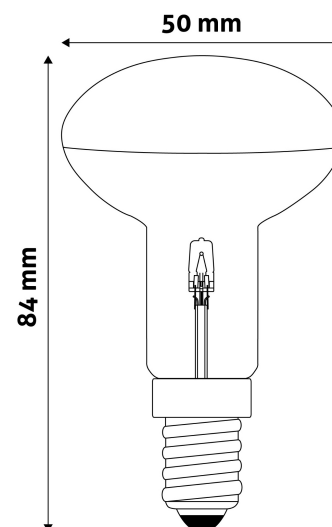
### PALLET EXAMPLE

Height:	
Width:	120cm (std Euro pallet)
Depth:	80cm (std Euro pallet)
Cartons per pallet:	48carton/pallet
Cartons per row:	6pcs
Net weight:	134.4kg
Gross weight:	235.2kg

### PRODUCT PICTURE



### PRODUCT OUTLINE



## Avide Halogen R50 28W E14 2000h

<b>Product code:</b>	AHR50WW-28W
<b>Brand link:</b>	<a href="https://avidelighting.com/qr/AHR50WW-28W">avidelighting.com/qr/AHR50WW-28W</a>
<b>ID:</b>	AB-190518
<b>Company name:</b>	Bramcke Hungary Kft.
<b>Company address:</b>	Kishatár utca 17., 4031 Debrecen

QR code:



Date of issue: 2024-09-10

Page: 3/3

### PRODUCT DESCRIPTION

In order to protect the energy resources of the Earth, over recent years the European Union has continuously reduced and continues to reduce the opportunities for marketing traditional tungsten filament products.

Halogen technology is now widespread all over the world, providing an easily accessible light source for everyone. In line with recent trends, our products have an aesthetically pleasing and ergonomic design. In terms of their size and brightness, they resemble traditional light sources, moreover, they provide the same light but with 30% lower energy consumption. Being dimmable, the product can be customized based on personal preferences or features of the space to be lit.