

Avide Halogen R50 42W E14 2000h

Product code: AHR50WW-42W
Brand link: avidelighting.com/qr/AHR50WW-42W
ID: AB-190518
Company name: Bramcke Hungary Kft.
Company address: Kishatár utca 17., 4031 Debrecen



Date of issue: 2025-02-15
Page: 1/3

SPECIFICATIONS

EAN code: 5999562280478
Socket: E14
Working temperature: -20 - +40 °C
Packaging: 1/b 100/c 4800/p
Certifications: CE

TECHNICAL DETAILS

Wattage: 42W
Voltage: 220-240V
Beam angle: 30°
Dimmability: Yes
Lumen output: 375lm
Color temperature: 3000K
Lifetime: 2 000h
Energy class: G
IP standard: IP20

BOX PICTURE



Avide Halogen R50 42W E14 2000h

Product code:	AHR50WW-42W
Brand link:	avidelighting.com/qr/AHR50WW-42W
ID:	AB-190518
Company name:	Bramcke Hungary Kft.
Company address:	Kisatár utca 17., 4031 Debrecen

QR code:



Date of issue: 2025-02-15

Page: 2/3

PRODUCT SIZE

Diameter:	50mm
Height:	84mm

CARDBOARD BOX

EAN:	5999562280478
Packaging:	1/b 100/c 4800/p
Dimensions:	50mm x 47mm x 123mm
Net weight:	28g
Gross weight:	49g

CARTON

EAN:	
Packaging:	1/b 100/c 4800/p
Dimensions:	530mm x 270mm x 190mm
Net weight:	2.8kg
Gross weight:	4.9kg

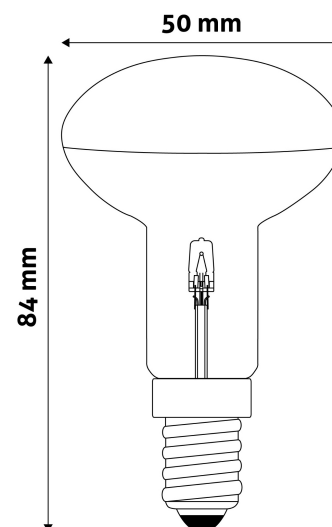
PALLET EXAMPLE

Height:	
Width:	120cm (std Euro pallet)
Depth:	80cm (std Euro pallet)
Cartons per pallet:	48carton/pallet
Cartons per row:	6pcs
Net weight:	134.4kg
Gross weight:	235.2kg

PRODUCT PICTURE



PRODUCT OUTLINE



Avide Halogen R50 42W E14 2000h

Product code:	AHR50WW-42W
Brand link:	avidelighting.com/qr/AHR50WW-42W
ID:	AB-190518
Company name:	Bramcke Hungary Kft.
Company address:	Kishatár utca 17., 4031 Debrecen

QR code:



Date of issue: 2025-02-15

Page: 3/3

PRODUCT DESCRIPTION

In order to protect the energy resources of the Earth, over recent years the European Union has continuously reduced and continues to reduce the opportunities for marketing traditional tungsten filament products.

Halogen technology is now widespread all over the world, providing an easily accessible light source for everyone. In line with recent trends, our products have an aesthetically pleasing and ergonomic design. In terms of their size and brightness, they resemble traditional light sources, moreover, they provide the same light but with 30% lower energy consumption. Being dimmable, the product can be customized based on personal preferences or features of the space to be lit.