

**Avide GU10 Frame Square Swivel Antracite**

**Product code:** ABGU10F-SS-AN  
**Brand link:** [avidelighting.com/qr/ABGU10F-SS-AN](http://avidelighting.com/qr/ABGU10F-SS-AN)  
**ID:** AB-190518  
**Company name:** Bramcke Hungary Kft.  
**Company address:** Kishatár utca 17., 4031 Debrecen



**Date of issue:** 2024-04-23

**Page:** 1/3

**SPECIFICATIONS**

**EAN code:** 5999097911908  
**Warranty:** 2year(s)  
**Socket:** GU10  
**Color:** Anthracite  
**Material:** Metal  
**Working temperature:**  
**Packaging:** 1/b 100/c 3000/p  
**Certifications:** CE

**TECHNICAL DETAILS**

**Wattage:**  
**Voltage range:** 220-240V  
**Inner diameter:** 55mm  
**Cut out size:** 65mm  
**Swivel:** Yes  
**IP standard:** IP20

**BOX PICTURE**



**Avide GU10 Frame Square Swivel Antracite**

**Product code:** ABGU10F-SS-AN  
**Brand link:** [avidelighting.com/qr/ABGU10F-SS-AN](https://avidelighting.com/qr/ABGU10F-SS-AN)  
**ID:** AB-190518  
**Company name:** Bramcke Hungary Kft.  
**Company address:** Kishatár utca 17., 4031 Debrecen



Date of issue: 2024-04-23

Page: 2/3

**PRODUCT SIZE**

Width: 81mm  
 Height: 26mm

**CARDBOARD BOX**

EAN: 5999097911908  
 Packaging: 1/b 100/c 3000/p  
 Dimensions: 85mm x 105mm x 37mm  
 Net weight: 103.5g  
 Gross weight: 120g

**CARTON**

EAN: 5999097911755  
 Packaging: 1/b 100/c 3000/p  
 Dimensions: 545mm x 220mm x 360mm  
 Net weight: 10.35kg  
 Gross weight: 12kg

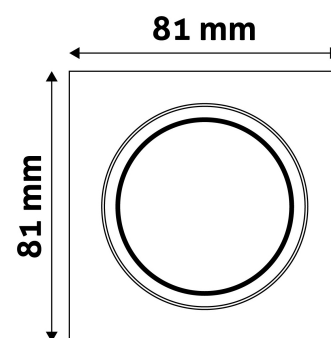
**PALLET EXAMPLE**

Height:  
 Width: 120cm (std Euro pallet)  
 Mepth: 80cm (std Euro pallet)  
 Cartons per pallet: 30carton/pallet  
 Cartons per row:  
 Net weight: 310.5kg  
 Gross weight: 360kg

**PRODUCT PICTURE**



**PRODUCT OUTLINE**



## Avide GU10 Frame Square Swivel Antracite

**Product code:** ABGU10F-SS-AN  
**Brand link:** [avidelighting.com/qr/ABGU10F-SS-AN](https://avidelighting.com/qr/ABGU10F-SS-AN)  
**ID:** AB-190518  
**Company name:** Bramcke Hungary Kft.  
**Company address:** Kishatár utca 17., 4031 Debrecen

QR code:



**Date of issue:** 2024-04-23

**Page:** 3/3

### PRODUCT DESCRIPTION